

# MLM 5-21/23

## High-Performance Medical Monitor for Demanding Medical Graphics Applications

### Features

- High-Performance medical monitor for connection to multiple input devices
- 21.5" or 23.8" Full HD display with optically bonded PCAP multi-touch touchscreen and anti-glare coated safety glass for unsurpassed visualisation capabilities
- Fully sealed aluminium housing and fanless design for high hygienic standards with IP65 rated fluid protection, providing easy cleaning and resistance to common medical disinfection procedures



### Specifications

#### Display

TFT Panel	21.5" / 23.8" Full HD
Resolution	1920 x 1080
Colours	16.7 million
Pixel Pitch	0.248 x 0.248 mm (21.5") 0.275 x 0.275 mm (23.8")
Contrast ratio*	3000:1 (21.5"), 1000:1 (23.8")
Response time*	5 ms
Luminance*	250 cd/m <sup>2</sup>
Viewing angle V/H*	176°/176° (21.5") 178°/178° (23.8")
	* typical values

#### Interfaces

I/O	VGA 15pin D-sub socket DVI-D 24+1pin dual link socket DisplayPort input socket USB 2.0 input socket type B (input interface; e.g. for touch operation with connected host PC)
UI	6 key membrane keypad; available functions: - Standby ON/OFF - Call OSD menu (enables further adjustments) - Search / select display signal type - Display signal type - Display auto adjust - Touch cleaning enable/disable

#### Electrical

Power	100-240 V ~ 50 / 60 Hz (internal medical grade PSU) or 24 V (via external med. grade PSU)
-------	--

#### Mechanical

Dimensions (WxHxD)	532 x 324 x 86 mm (21.5") / 595 x 364 x 86 mm (23.8")
Weight (approx.)	9.1 kg (21.5") / 10.3 kg (23.8")
Housing	Aluminium powder coated
Mounting	VESA 100

#### Environmental

Operating.	0°C to +35°C 10% to 90% rel. humidity (non-condensing)
Storage.	-10°C to +60°C 5% to 95% rel. humidity (non-condensing)
Ingress Rating	IP65 protection from 5-sides

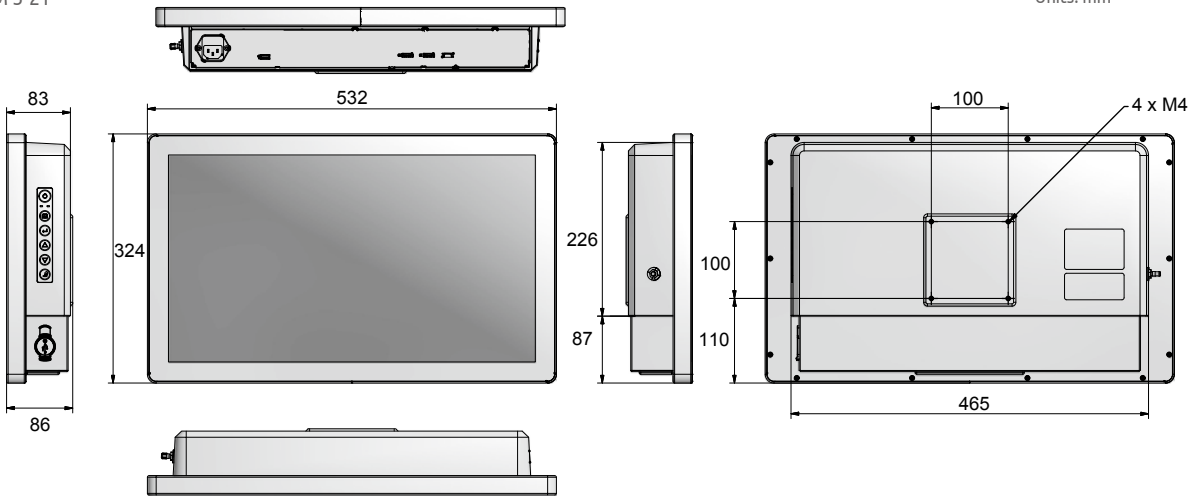
#### Certificates

IEC 60601-1:2012
EN 60601-1:2006/A11:2011
IEC 60601-1-2:2007/EN 60601-1-2:2007
EN 55022:2010 + AC:2011
EN 61000-3-2:2006 + A1:2009 + A2:2009
EN 61000-3-3:2013
EN 55024:2010
RoHS compliant

# Dimensions

MLM 5-21"

Units: mm



MLM 5-23"

