

# STC-1006/1206/1506

## Smart Touch Computer

### Features

- Freescale i.MX6 Dual ARM® Cortex® A9 Core SoC
- 10.4"/12.1"/15" 4:3 TFT-LCD display with 1024 x 768 resolution
- Durable projected capacitive touch sensor
- IP65 rated front bezel for water and dust protection



### Specifications

#### Display

Display Size	10.4"/12.1"/15", 4:3 aspect ratio
Resolution	1024 x 768
Brightness	10.4": 500 nits (w/o touch sensor installed) 12.1": 500 nits (w/o touch sensor installed) 15": 400 nits (w/o touch sensor installed)
Contrast Ratio	10.4": 1000:1 12.1": 700:1 15": 700:1
View Angle (U/D/R/L)	10.4": 88/88/88/88 12.1": 70/70/80/80 15": 70/70/80/80
Touchscreen	Projected capacitive, touch (PCT) full-flat design, USB interface

#### Motherboard and System Components

Processor	Freescale i.MX6 Dual ARM® Cortex® A9 Core SoC, 2 cores, 800 MHz, 1 MB L2 cache
Main Memory	2GB DDR3L soldered onboard
Storage Drive	8GB eMMC onboard 1x Half-Slim SATA external slot (STC-1006) 1x 2.5" SATA external slot (STC-1206/1506) 1x SD card slot (external)
Graphics	Integrated 2D/3D graphics processor, 3D 1080p video processing
I/O Ports	2x USB 2.0, Type A 1x GbE, RJ45 1x 10/100Mbps LAN, RJ-45 (optional) 2x COM ports, RS-232, Tx/Rx only 1x HDMI port 1x SD card slot 1x 2-pin DC power input, 9~24V DC 1x audio line-out, 3.5mm jack (optional)
Expansion Slots	1 Mini PCIe slot full-size 1x ADLINK proprietary slot for extended I/O board
Webcam	2.0M pixel
Operating Systems	uBuntu 12.04 Linux OS (pre-installed)

#### Physical Characteristics

Construction	Aluminum front bezel and chassis
Weight	STC-1006 (10.4"), 2.5 kg STC-1206 (12.1"), 4.5 kg STC-1506 (15"), 6 kg
Dimensions (HxWxD)	STC-1006 (10.4"), 285 x 229 x 44.3 mm STC-1206 (12.1"), 325 x 263.6 x 44.3 mm STC-1506 (15"), 390 x 310.5 x 48.2 mm
Mounting Options	VESA mount, MIS-D 75 mm Panel mount

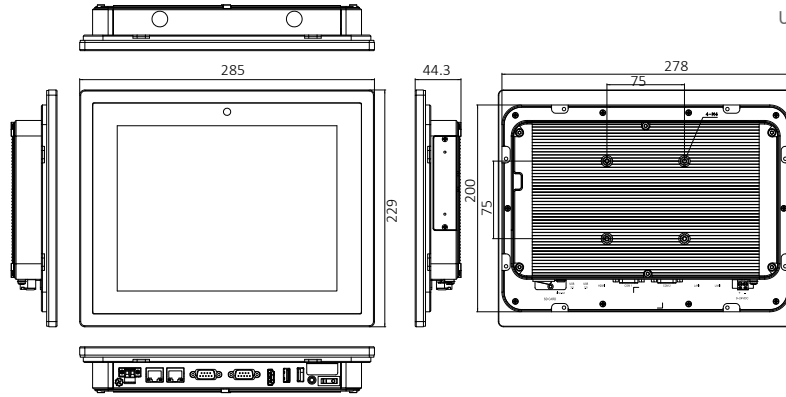
#### Working Environment

Operating Temperature	0°C to 60°C (onboard eMMC)
Storage Temperature	-20°C to 60°C
Relative Humidity	10% to 90 % @ 40°C (non-condensing)
Vibration	1G random 5 to 500Hz, operating
Shock	10G acceleration, 11ms, operating
Ingress Rating	IP65 front bezel
Certifications	CE, FCC compliant
Input Voltage	9-24V DC
Power Consumption	STC-1006, 30W STC-1206, 32W STC-1506, 34W

## Dimensions

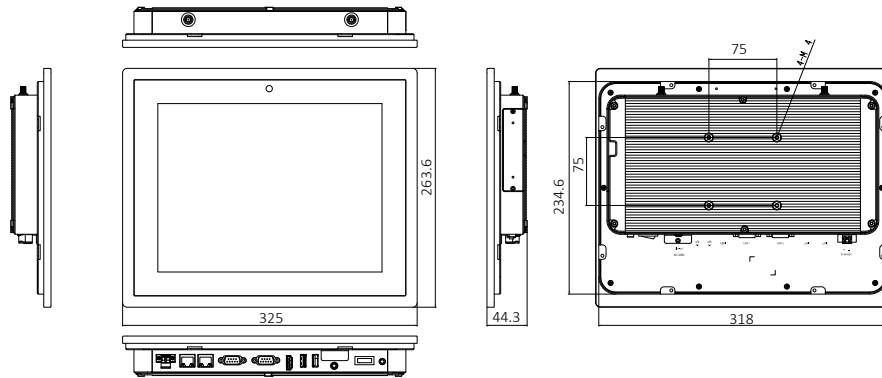
STC-1006

Units: mm



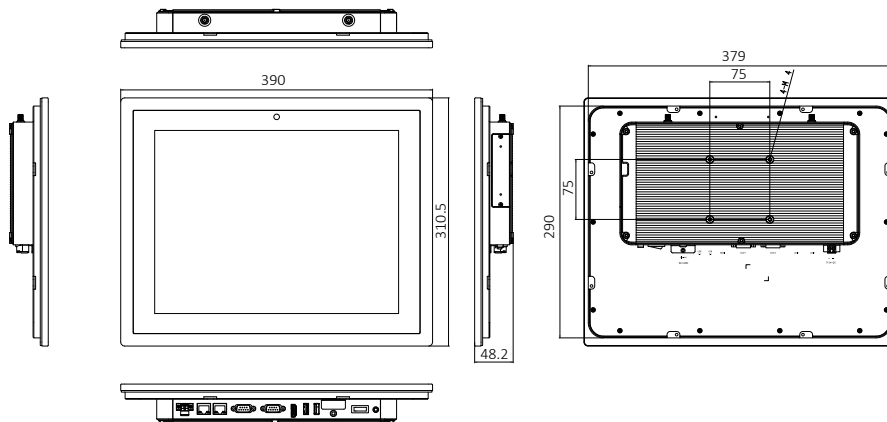
STC-1206

Units: mm



STC-1506

Units: mm



# Ordering Information

## Modules

Model Number	Description
STC-1006-2P	10.4" 1024x768, 500cd/m2, Freescale i.MX6, dual core, 2GB DRAM, P-CAP touchscreen, 19VDC Power adapter, 8GB eMMC, uBuntu
STC-1206-2P	12.1" 1024x768, 500cd/m2, Freescale i.MX6, dual core, 2GB DRAM, P-CAP touchscreen, 19VDC Power adapter, 8GB eMMC, uBuntu
STC-1506-2P	15" 1024x768, 400cd/m2, Freescale i.MX6, dual core, 2GB DRAM, P-CAP touchscreen, 19VDC Power adapter, 8GB eMMC, uBuntu