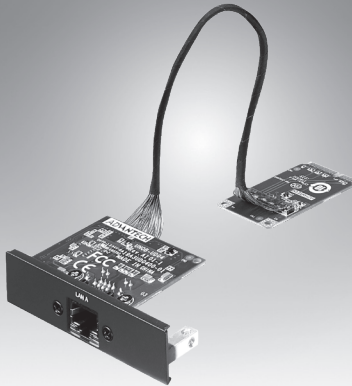


# PCM-24R1TP-BE

Intel I225, 2.5Gb/s, IEEE 1588, TSN, RJ45 x 1

NEW



## Features

- Meets Advantech iDoor technology standard
- Supports Time Sensitive Network (TSN) (IEEE 1588/ 802.AS Rev, 802.1Qav, 802.1Qbv)
- Support PXE
- High speed Ethernet supports 10BASE-Te, 100BASE-TX, 1000BASE-T and 2500BASE-T 802.3
- Achieves time synchronization for device or system
- Real-time Ethernet with hardware based precision time protocol

## Introduction

PCM-24R1TP-BE supports TSN (Time Sensitive Network) which is an update to the IEEE Ethernet standard intended to address the needs of control systems with standard Ethernet technology. This includes standard time synchronization and deterministic network communication over standard Ethernet, allowing operations networks to leverage the advantages of traditional Ethernet while meeting the timing and control needs of control and measurement applications.

PCM-24R1TP-BE features on supporting TSN that can be used in Audio/Video Bridging (AVB) applications and industrial applications that require TSN capabilities. This is a flexible design that enables customers to customize their features with iDoor Technology.

## Specifications

### General

- Bus Type** PCI Express Mini Card Revision 1.2
- Certification** CE, FCC class A
- Connectors** 1 x RJ45 GbE Half-/Full-Duplex
- Dimensions** Module: 51 x 30 x 12.4 mm (2" x 1.18" x 0.49")  
I/O Plate: 81 x 19.4 x 41 mm (3.19" x 0.76" x 1.61")
- Power Consumption** Typical: +3.3V @ 9 W

### Communications

- LAN Controller** Intel I225 Ethernet Chip
- Speed** 10/100/000BASE-TX, Auto-negotiation
- Support** IEEE 1588

### Protection

- Isolation Protection** 1,500 V<sub>DC</sub>
- ESD Protection** 4KV (Contact), 8KV (Air)
- EFT Protection** 1,000 V
- Surge Protection** 1,000 V<sub>DC</sub>

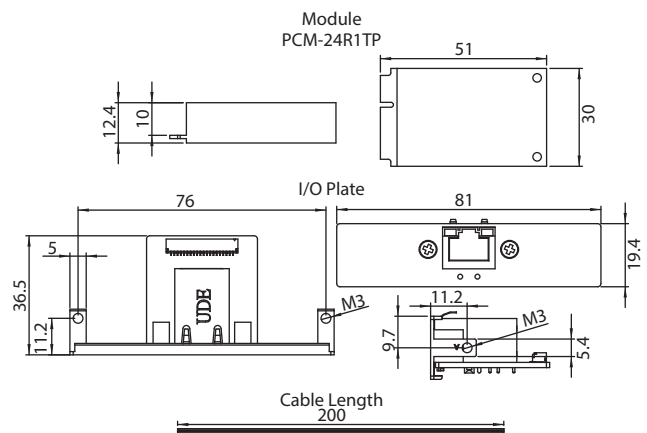
### Software

- OS Support** Microsoft® Windows® 10, Linux Ubuntu 18.04

### Environment

- Humidity (Operating)** 95% RH @40 °C, non-condensing
- Operating Temperature** -20 ~ 60°C (-4 ~ 140°F)
- Storage Temperature** -40 ~ 85°C (-40 ~ 185°F)

## Dimensions



## Ordering Information

- PCM-24R1TP-BE** Intel I225, 2.5Gb/s, IEEE 1588, TSN, RJ45 x 1