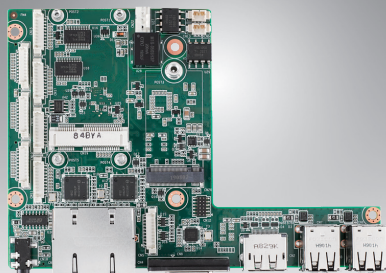


MIOe-260

M.2 B-key & F/S miniPCle
Dual Intel® GbE

NEW



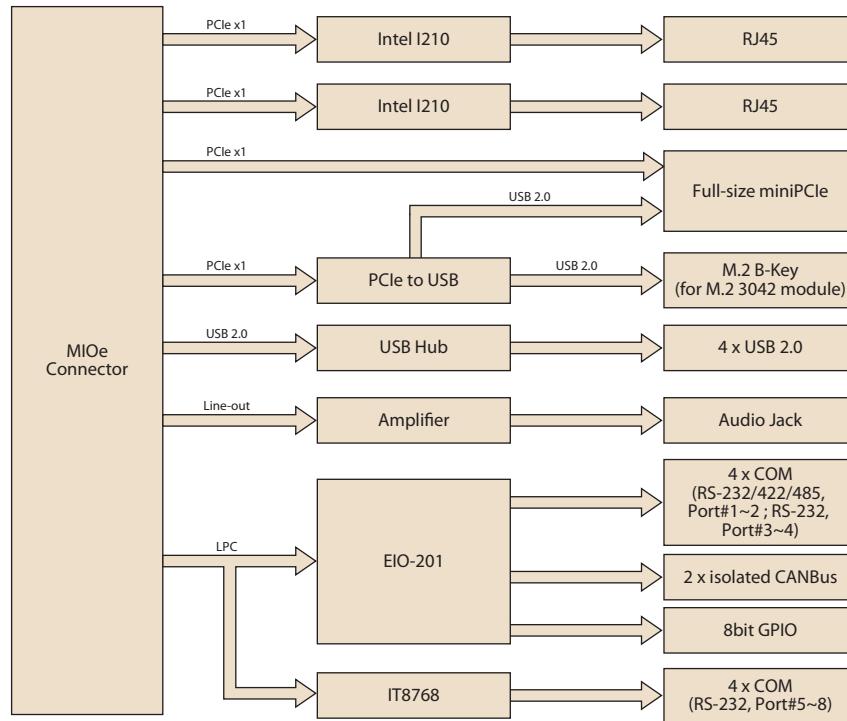
Features

- Low-profile design(11mm) MIO expansion board
- Rich I/O: 2 x Intel GbE, 4 x USB2.0, 8 x UART (4 x High-speed serial port + 4 x serial ports), 1x Line-out, 1x GPIO, 2x isolated CANBus
- Multiple expansion: Full-size miniPCle slot and M.2 B-Key for M.2 3042 4G/LTE module with on-board Nano-SIM slot & Full size miniPCle
- Domain focus applications for AI/Automation/Sensor hub

Specifications

General	Bus Interface	MIOe PCIe/LPC/USB/Audio line-out	
	Ports		2 x RJ45
			4 x USB2.0
			8 x UART
			1 x Audio Jack (Line Out)
			1 x 8 bit GPIO
	LAN	2 x RJ45 Intel® i210GbE 10/100/1000 Mbps	
	USB	4 x USB2.0 coast line	
	COM	1 x COM (RS-232/422/485) from coast line 1 x internal COM (RS-232/422/485) 6 x internal COM (RS232)	
	Miscellaneous	2 x isolated CANBus / Smart Fan / Temperature sensor	
Audio	1 x Audio Jack (Line Out) with 2.2W Amplifier		
GPIO	8 bit GPIO		
Expansion	1 x M.2 B-Key (USB for LTE) with nano SIM card holder 1 x Full size miniPCle (PCIe & USB)		
Compatibility	Rear I/O	MIO-5373/MIO-5375/MIO-5391/MIO-5393	
	Mechanical	MIO-5373/MIO-5375/MIO-5391/MIO-5393	
	Function	MIO-5373/MIO-5375/MIO-5391/MIO-5393	
Environment	Dimensions	146 x 102 mm (5.7" x 4")	
	Weight	0.186 kg (0.41 lb)	
	Operating Humidity	10 ~ 95 % relative humidity, non-condensing	
	Operating Temperature	0 ~ 60° C	
	Storage Temperature	-40° C ~ 85° C and 60° C @ 95% RH Non-Condensing	
Power	Power Supply Voltage	Supported by MI/O Extension SBC	

Block Diagram



Ordering Information

Part No.	Description
MIOE-260L-00A1	M.2 B-key & F/S miniPCle, Dual Intel GbE

Packing List

Part No.	Description	Quantity
	MIOe-260, MIOe extension board	1
1700030404-01	COM port cable	7
1700030518-01	CANBus cable	2
1700030405-01	DIO cable	1