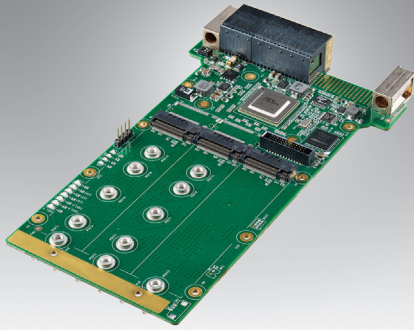


# MIC-6130

## 3U OpenVPX PCIe/ SATA M.2 carrier

Preliminary



### Features

- OpenVPX MOD3-PER-1F-16.3.2-3 profile compliant
- High speed PCIe/ SATA III interface
- Support up to 3x M.2 device



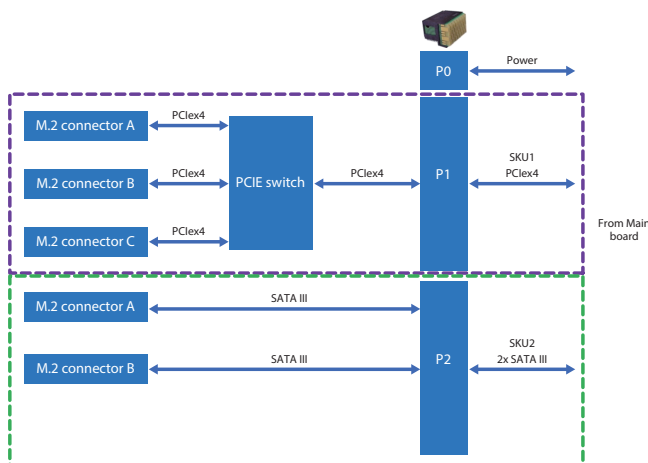
### Introduction

MIC-6130 is a 3U OpenVPX M.2 carrier. MIC-6110 complies with the MOD3-PER-1F-16.3.2-3 profile, and the newest PCI Express M.2 Specification Revision 1.1. Advantech provides MIC-6130 with either the PCIe Gen.3 interface or SATA III interface, and various physical device sizes for the different usages.

### Specifications

VPX Interface	P0	Power: 5V
	P1	1x PCIe x4
	P2	2x SATA III
M.2 keying		M-key
M.2 physical size		PCIe SKU: 2280; SATA SKU: 2242, 2260, 2280
Front panel LED		Hot-Swap, Power, SSD1_active, SSD2_active, SSD3_active
Operating System	Compatibility	Windows 7 or above; Linux (Depends on the selected M.2 module)
Physical Characteristics	Dimensions	160.00 x 100.00 mm (6.3" x 3.95") (W x D), 5HP (H)
	Weight	0.23 kg without peripherals
Compliance	VPX	OpenVPX (VITA 65), REDI (VITA 48)

### Block Diagram



### Related products

Product	Description
MIC-6330	3U OpenVPX CPU Blade with Intel® Xeon® Processor E3v5 and E3v6 family

### Ordering Information

Model number	Configuration
MIC-6130-A100E	MIC-6130 with PCIe interface
MIC-6130-B100E	MIC-6130 with SATA interface

\* Please contact the Advantech representative for the availability.

VITA and OpenVPX Logo are trademarks of VITA