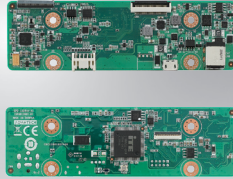
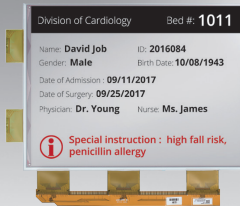


EPM-660, EPM-662

13.3" ePaper Driving Module

NEW



Features

- 13.3" ePaper panel display: EPM-662 for Red/Black/White, EPM-660 for Black/White
- Data Interface: USB
- Supports operation temperatures of 0 ~ 40 °C (Red/Black/White), 0 ~ 50 °C (Black/White)
- EPM-660 Support : Wide Range Temperature version in -15 to 65 °C in 1 bit color (Black and White)

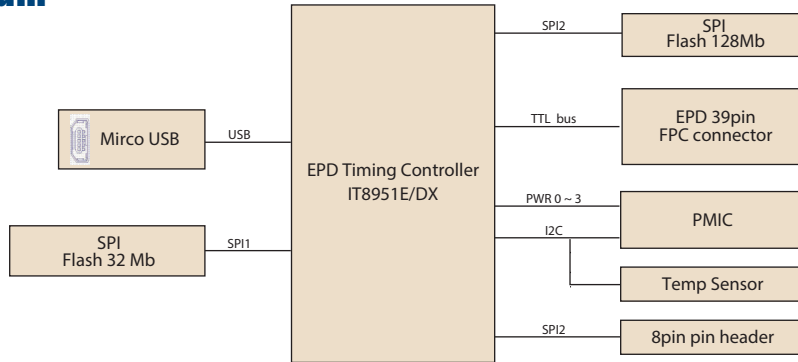
Introduction

EPM-660, EPM-662 support 13.3" E ink ePaper driving and provide USB interface for data integration. Partner can apply the ready driving module to design their own EPD device for different application.

Specifications

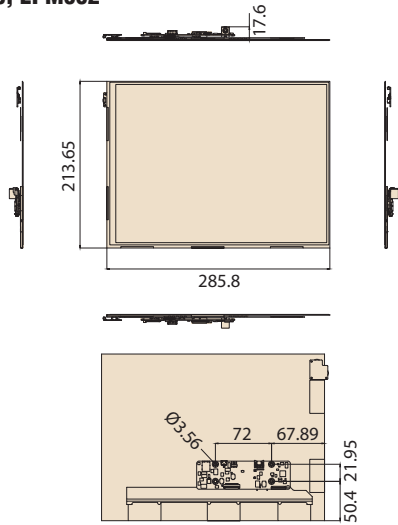
Display	Screen Size	285.8 x 213.65 mm	
	Resolution	1600 x 1200 pixels	
Storage	Internal	ITE SPI Flash: 32Mb	
	External	-	
I/O (on-board)	SPI	8pin Pin Header	
	Micro USB (CN2)	USB to TCON (Timing Controller)	Interface for data to EPD
	EPD connector	39P for 13.3" (R/B/W or B/W) & 9.7" EPD (R/B/W)	
Power	DC 5V	Micro USB (CN2) up to 0.9A/4.5 W in USB3.0 host	Data transmission mode
		Micro USB (CN3) up to 2A/10 W	with power supply
Environment	Operational Temperature	0 ~ 40 °C (R/B/W), 0 ~ 50 °C (B/W), Wide Range Temperature version in -15 to 65 °C in 1 bit color	
	Non-Operational Temp.	-25 ~ 60 °C (R/B/W), -25 ~ 70 °C (B/W)	
	Assembly Temperature	10 ~ 40 °C	
	Operating Humidity	5 ~ 85% Relative Humidity, non-condensing	
Physical Characteristics	Dimensions (W x H)	Panel: 285.8 x 213.65 mm PCBA: 120 mm (L) x 36 mm (W)	
	Weight	Panel: 0.12g PCBA: 0.17g	

Board Diagram

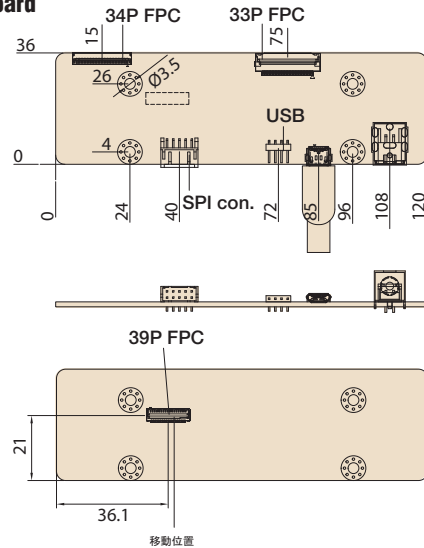


Dimensions

EPM-660, EPM662



Control Board



Ordering Information

Part No.	Description
EPM-660-101	13.3" Black/White ePaper module (wide range temperature)
EPM-662-101	13.3" Red/Black/White ePaper module

Optional Accessories

Part No.	Description
1700029192-01	With micro-USB connector in 5 V/ 2A

Packing List

Model Name	Part No.	Description
EPM-660	EPM-660-101	1. 13.3" Black/White ePaper 2. ePaper Control Board
EPM-662	EPM-662-101	1. 13.3" Red/Black/White ePaper 2. ePaper Control Board

- * All E Ink Panel inspection criteria refer to E Ink CAS & Inspection standard document.
- * Note: E Ink Recommend condition for storage:
Temperature: 20 +/-10 degree C
Humidity : 60% RH+-10%RH, Non-condensing
- * Note: If panel module has been put in low temperature between 0--25 degree C for a while, we recommend leaving it between 20 to 30 degree C for 4 days before assembly.