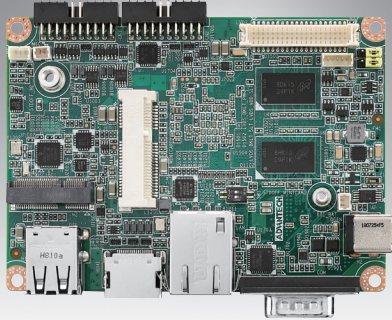


# RSB-3430

## NXP Arm® Cortex®-A9 i.MX6 2.5" SBC



### Features

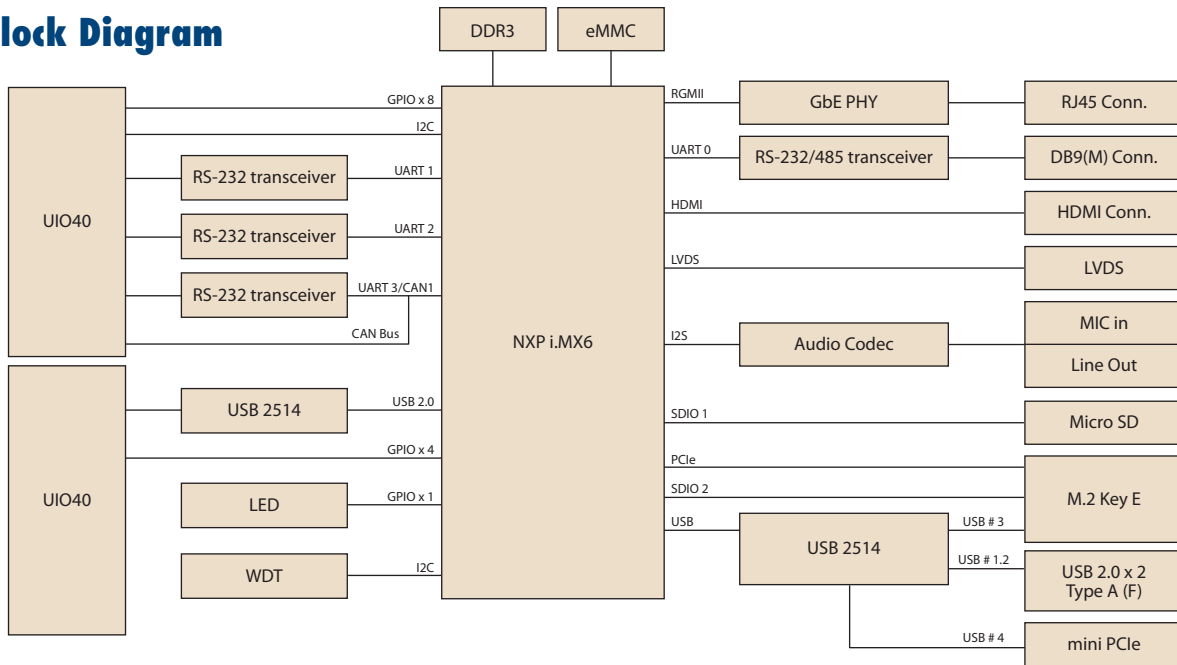
- NXP Arm® Cortex®-A9 i.MX6 Dual 1 GHz
- Onboard DDR3 1 GB, 800 MHz memory
- HDMI 1920x1080 at 60Hz, Dual Channel 18/24 bit LVDS
- 1 4-wire RS-232/RS-485, 2 USB 2.0, 1 Micro SD, 1 Mic. in / Line out
- 1 mini-PCIe for 3G/4G, 1 M.2 Key E, Type 2230
- UIO expansion 4 USB2.0, 12 GPIO, 2 2 wires UART, 1 2 wires UART/ CAN, 1 I2C
- Supports Yocto Linux, Ubuntu and Android



### Specifications

Form Factor		2.5" SBC
Processor System	CPU	NXP i.MX6 Cortex-A9 Dual 1 GHz
Memory	Technology	DDR3 1066 MHz
	Capacity	On-board DDR3 1 GB
	Flash	4 GB eMMC Flash for O.S. and 4 MB NOR Flash for Advantech boot loader
Graphics	HDMI	1 HDMI, 1920 x 1080 at 60Hz
	LVDS	Dual Channel 18/24 bit LVDS, Backlight power, 5/12V, Max. 1A
	Graphics Engine	1 IPU. OpenGL ES 2.0 for 3D, BitBlit for 2D and OpenVG 1.1
	H/W Video Codec	Decoder: MPEG-4 ASP, H.264 HP, H.263, MPEG-2 MP, MJPEG BP Encoder: MPEG-4 SP, H.264 BP, H.263, MJPEG BP
Ethernet	Chipset	NXP i.MX6 integrated RGMII
	Speed	1 10/100/1000 Mbps
WatchDog Timer	WatchDog Timer	1~6553s, power on/off 4s
I/O	USB	2 USB 2.0 Host
	Audio	1 Mic. in / Line out
	SDIO	1 Micro SD
	Serial Port	1 4 wires RS-232/RS-422/RS-485
	UIO40	4 USB2.0, 12 GPIO, 2 UART, 1 UART/CAN, 1 I2C
Indicator	LED	1 Green LED for the system power
		1 Green LED (Programmable)
Expansion	Full Size Mini PCIe	1 (Only USB signal)
	M.2	1 Key E, Type 2230
	SD Socket	1 Micro SD
	SIM Slot	1
Power	Power Supply Voltage	+12 V
	Power Type	DC-in
	Power Consumption	4.05W (Max.)
Environment	Operating Temperature	0 - 60 °C
	Operating Humidity	5%~95% Relative humidity, non-condensing
Mechanical	Dimensions	100 x 72 x 19 mm
	Weight	210g
Operation System		Yocto Linux, Ubuntu and Android
Certifications		CE/FCC Class B

## Block Diagram



## Ordering Information

Part No.	CPU	Memory	Flash Memory	HDMI	VGA	LVDS	LAN	Serial Port	SATA	USB Host	System bus	SD	CANbus	Operating Temperature
RSB-3430CD-PNA1E	NXP i.MX6 Dual 1 GHz	1 GB	4 GB	1	-	1	1	1 x 4 wire RS-232	-	2	-	1	-	0 ~ 60 °C
RSB-3430CD-PCA1E	NXP i.MX6 Dual 1 GHz	1 GB	4 GB	1	-	1	1	1 x 4 wire RS-232	-	2	-	1	1	0 ~ 60 °C
RSB-3430WD-PNA1E	NXP i.MX6 Dual 1 GHz	1 GB	4 GB	1	-	1	1	1 x 4 wire RS-232	-	2	-	1	-	-40 ~ 85 °C
RSB-3430WD-PCA1E	NXP i.MX6 Dual 1 GHz	1 GB	4 GB	1	-	1	1	1 x 4 wire RS-232	-	2	-	1	1	-40 ~ 85 °C

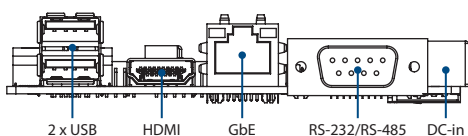
## Packing List

Part Number	Description
9696343000E	RSB-3430 2.5" SBC

## Optional Accessories

Part Number	Description
96PSA-A36W12R1	ADAPTER 100-240V 36W 12V 3A
EWM-W162M201E	802.11 ac/a/b/g/n Wi-Fi and BT4.2 M.2 card
EWM-C117FL01E	LTE/HSPA+/GPRS module, w/o SIM Slot, for USA AT&T, T-Mobile, w/o voice function
1750006264	Antenna SMA(F)/MHF 15cm SMALFN8-3150A-00X00R (4 G Cable)
1750007990-01	Antenna 4G/LTE full band L=11 cm 50 Ohm
1750007965-01	Wi-Fi cable, SMA (M) to MHF4, 50 cm
1750000318	2DBI 2.4 GHz SMA CONN
1700030306-01	UIO20 extending cable of RSB-3430 for 4USB&4GPIO
1700030307-01	UIO40 extending cable of RSB-3430,3COM&8GPIO
1700031429-01	Line out cable
1700026878-01	Mic. in cable

## External I/O



## Dimensions

Unit: mm

